

019-01-095
Fastener, Standard (Metric): Screw [M3 X 6mm] SHCS, Patchlock

210-22-751
Lever, Compression Selector, 2014 32mm CTD

036-01-043
Seals: U-Cup, Shore 70A, 2013 Fit-CTD and CTD-ADJ

039-00-302
Tolerance Spring, 2014 CTD F/P

234-04-368
Plate, Detent Spring Retainer, 2013 CTD Performance

TORQUE:
220±5 IN-LB
REFERENCE ONLY
(FOR INSTALLATION
INTO FORK)

CARTRIDGE ASSY

GREASE:
THIN LAYER

TORQUE:
11±3 IN-LB

GREASE:
LIGHT COAT OF SLICK HONEY ONLY!
ON BALL

SEE DETAIL A

241-01-011
CRUSH WASHER

241-00-011
BOTTOM NUT

210-22-446
REBOUND KNOB

TORQUE:
5.0±0.5 IN-LB

018-01-007
Socket Set Half Dog Point Screw [#8-32 X 0.250 TLG]

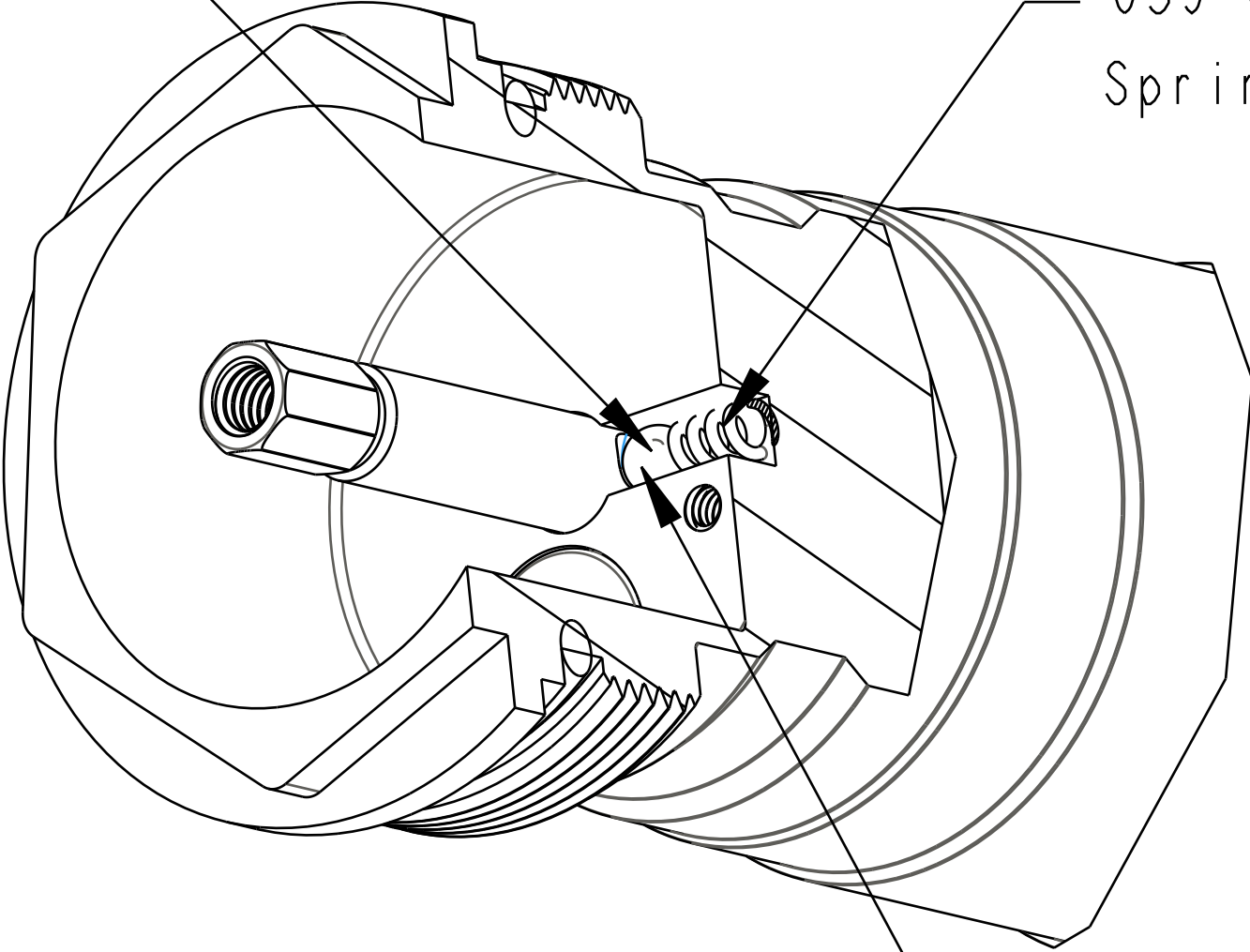
TORQUE:
50±5 IN-LB

REFERENCE ONLY
(FOR INSTALLATION
INTO FORK)

039-00-227
Spring: Detent [.24 TLG X .102 OD X 90 lb/in] Stainless Steel

010-01-012
Ball [Ø.1094]

DETAIL A



PROPRIETARY - PROPRIETARY INFORMATION
THIS DOCUMENT CONTAINS CONFIDENTIAL, PROPRIETARY INFORMATION
THAT IS FOR PROPERTY. DO NOT DISCLOSE TO OR DUPLICATE
FOR OTHERS EXCEPT AS AUTHORIZED BY FOX.

FOX Factory, Inc.
130 Hangar Way, Watsonville, CA 95076 USA
Ph 831-768-1100
Fax 831-768-9312
TITLE
**Assy Dwg: 2015 34 P-S FIT CTD
Cartridge Assy Complete**

SIZE DWG. NO.
D
PLOT SCALE 1:1 SHEET 1 OF 1